



HEPA HC



Air Filters

Since 1982

DISTRIBUTED BY . . .



Phone: 503.968.3261 • www.AirFiltersNW.com



EXCELAIR HEPA HC

DEEP PLEAT CONSTRUCTION
HIGH CAPACITY | HEPA



Features & Benefits | HEPA HC

- High capacity deep pleated HEPA Filter with more pleats.
- Excelair HEPA HC Filter utilizes micro glass fiber paper media arranged in deep pleat.
- Standard galvanized steel frame. Optional SS, Aluminum or MDF frame.
- Each filter is scan tested individually per EN 1822, ensuring a leak proof performance. Test results are affixed by label to each filter.
- Deep pleat media with more pleats allows a large filtering area for maximum air flow giving strength and ensuring performance, during high air volumes.
- Available with optional powder coated, expanded metal face guard.
- Mounting options: Excelair Ducted HEPA Housing, Air Handling Units, Ecology Units etc.

Specifications | HEPA HC

Type	Deep pleat construction
Filter Grades (EN 1822)	E12 / H13 / H14
MPPS Efficiency	≥ 99.5% / ≥ 99.95% / ≥ 99.995%
Efficiency @ 0.3μ	≥ 99.97% / ≥ 99.99% / 99.999%
Filter Media	Micro glass fiber paper media
Media Separator	Corrugated aluminum separator
Frame	SS / GI / Al / MDF
Media Sealant	Two part Poly-Urethane
Gasket	Seamless PU / Neoprene
Maximum Temperature	80 °C/176 °F
Final Pressure Drop	2.00" wg (Recommended)
Fire Rating	UL Classified

Applications | HEPA HC



Hospital



Biomedical



Pharmaceutical



Universities



Laboratories



Food processing



Hospitality Industry



Kitchen Exhaust Systems

DISTRIBUTED BY . .



Phone: 503.968.3261 • www.AirFiltersNW.com



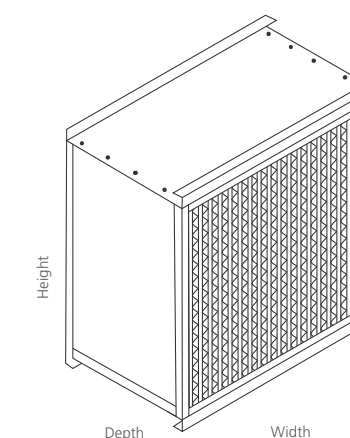
Selection Chart | HEPA HC

Model Reference	Actual Dimensions (inches)			Filter Classification as per EN 1822	Airflow		Initial Pressure Drop (Inch W.G.)		Media Area (Sq.ft.)	
	Width	Height	Depth		CFM	CMH	Double Turn Flange	Box Type	Double Turn Flange	Box Type
EHHC-12x24x6-(DTF/BX)-H14	12	24	5.90	H14	335	570	1.10	1	51	61
EHHC-24x24x6-(DTF/BX)-H14	24	24	5.90	H14	715	1215	1.10	1	108	123
EHHC-12x12x12-(DTF/BX)-H14	11.30	11.30	11.50	H14	270	460	1.10	1	44	56
EHHC-12x12x12-(DTF/BX)-H14	12	12	11.50	H14	315	535	1.10	1	50	64
EHHC-12x24x12-(DTF/BX)-H14	11.30	23.30	11.50	H14	550	935	1.10	1	94	115
EHHC-12x24x12-(DTF/BX)-H14	12	24	11.50	H14	630	1070	1.10	1	102	124
EHHC-24x24x12-(DTF/BX)-H14	23.30	23.30	11.50	H14	1325	2250	1.10	1	207	236
EHHC-18x18x12-(DTF/BX)-H14	18	18	11.50	H14	785	1335	1.10	1	120	141
EHHC-24x24x12-(DTF/BX)-H14	24	24	11.50	H14	1400	2380	1.10	1	220	249
EHHC-30x24x12-(DTF/BX)-H14	30	24	11.50	H14	1780	3025	1.10	1	278	311
EHHC-12x24x6-(DTF/BX)-H13	12	24	5.90	H13	395	670	1.10	1	51	61
EHHC-24x24x6-(DTF/BX)-H13	24	24	5.90	H13	855	1455	1.10	1	108	123
EHHC-12x12x12-(DTF/BX)-H13	11.30	11.30	11.50	H13	370	630	1.10	1	44	56
EHHC-12x12x12-(DTF/BX)-H13	12	12	11.50	H13	400	680	1.10	1	50	64
EHHC-12x24x12-(DTF/BX)-H13	11.30	23.30	11.50	H13	765	1300	1.10	1	94	115
EHHC-12x24x12-(DTF/BX)-H13	12	24	11.50	H13	805	1370	1.10	1	102	124
EHHC-24x24x12-(DTF/BX)-H13	23.30	23.30	11.50	H13	1615	2745	1.10	1	207	236
EHHC-18x18x12-(DTF/BX)-H13	18	18	11.50	H13	950	1615	1.10	1	120	141
EHHC-24x24x12-(DTF/BX)-H13	24.00	24.00	11.50	H13	1700	2890	1.10	1	220	249
EHHC-24x12x12-(DTF/BX)-H13	24	12	11.50	H13	830	1410	1.10	1	105	128
EHHC-30x24x12-(DTF/BX)-H13	30.00	24.00	11.50	H13	2160	3670	1.10	1	278	311
EHHC-12x12x12-(DTF/BX)-E12	12	12	11.50	E12	400	680	1.10	1	50	64
EHHC-12x24x12-(DTF/BX)-E12	12	24	11.50	E12	805	1370	1.10	1	102	124
EHHC-24x24x12-(DTF/BX)-E12	24	24	11.50	E12	1700	2890	1.10	1	220	249

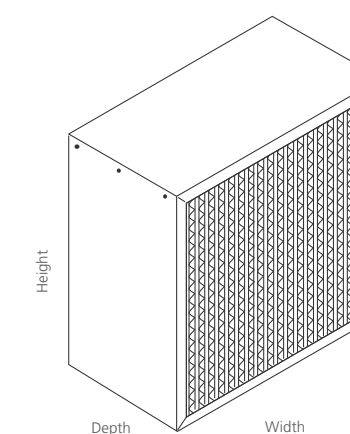
Model Ref.Numbering Scheme & Size Selection | HEPA HC

EHHC-24x24x12-(DTF/BX)-E12

- E : Excelair
- HHC : HEPA HC
- 24x24x12 : Width x Height x Depth
- DTF / BX : Double Turn Flange / Box Type Construction
- E12 : Grade



Double Turn Flange
General Isometric view



Box Type
General Isometric view



DISTRIBUTED BY . . .



Phone: 503.968.3261 • www.AirFiltersNW.com