



HEPA BIO



Air Filters

Since 1982

DISTRIBUTED BY . . .



Phone: 503.968.3261 • www.AirFiltersNW.com



EXCELAIR HEPA BIO

DEEP PLEAT CONSTRUCTION BIO GRADE | HEPA





Features & Benefits | HEPA BIO

- Standard capacity deep pleated EPA Filter
- Excelair HEPA BIO Filter utilizes micro glass fiber paper media arranged in deep pleat.
- Standard galvanized steel frame. Optional SS, Aluminum or MDF frame.
- Each filter is scan tested individually per EN 1822, ensuring a leak proof performance. Test results are affixed by label to each filter.
- Pleated media is evenly and accurately positioned by corrugated aluminum separators with hemmed edges for added strength and media protection.
- Deep pleat media pack ensures a large filtering area for maximum air flow, giving strength and ensuring performance, during large air volumes.
- Available with optional powder coated expanded metal face guard.
- Mounting options: Excelair Ducted HEPA Housing, Ecology Units etc.

Specifications | HEPA BIO

Type	Deep pleat construction
Filter Grades (EN 1822)	E10 / E11
MPPS Efficiency	≥ 85% / ≥ 95%
DOP Efficiency @ 0.3μ	≥ 95% / ≥ 98%
Filter Media	Micro glass fiber paper media
Media Separator	Corrugated aluminum separator
Frame	SS / GI / Al / MDF
Media Sealant	Two part Poly-Urethane
Gasket	Seamless PU / Neoprene
Maximum Temperature	70 °C/158 °F
Final Pressure Drop	2.00" wg (Recommended)
Fire Rating	UL Classified

Applications | HEPA BIO

-  Hospital
-  Biomedical
-  Pharmaceutical
-  Universities
-  Laboratories
-  Food processing
-  Hospitality Industry
-  Kitchen Exhaust Systems

DISTRIBUTED BY . .



Phone: 503.968.3261 • www.AirFiltersNW.com



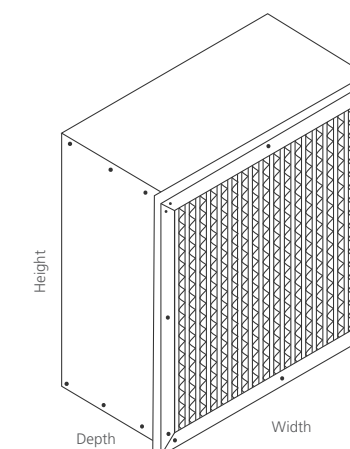
Selection Chart | HEPA BIO

Model Reference	Actual Dimensions (inches)			Filter Classification as per EN 1822	Airflow		Initial Pressure Drop (Inch W.G)		Media Area (Sq.ft.)	
	Width	Height	Depth		CFM	CMH	Header	Box	Header	Box
EHB-12X12X6-(HDR/BX)-E11	11.30	11.30	5.90	E 11	300	510	1.20	1.15	18	23
EHB-12X12X6-(HDR/BX)-E11	12.00	12.00	5.90	E 11	320	545	1.20	1.15	20	26
EHB-12X24X6-(HDR/BX)-E11	11.30	23.30	5.90	E 11	660	1120	1.20	1.15	35	43
EHB-12X24X6-(HDR/BX)-E11	12.00	24.00	5.90	E 11	720	1225	1.20	1.15	39	48
EHB-18X18X6-(HDR/BX)-E11	18.00	18.00	5.90	E 11	870	1480	1.20	1.15	46	55
EHB-24X24X6-(HDR/BX)-E11	23.30	23.30	5.90	E 11	1450	2465	1.20	1.15	78	89
EHB-24X24X6-(HDR/BX)-E11	24.00	24.00	5.90	E 11	1550	2635	1.20	1.15	83	95
EHB-30X24X6-(HDR/BX)-E11	30.00	24.00	5.90	E 11	1935	3290	1.20	1.15	105	118
EHB-12X12X12-(HDR/BX)-E11	11.30	11.30	11.50	E 11	450	765	1.20	1.15	33	44
EHB-12X12X12-(HDR/BX)-E11	12.00	12.00	11.50	E 11	500	850	1.20	1.15	38	49
EHB-12X24X12-(HDR/BX)-E11	11.30	23.30	11.50	E 11	950	1615	1.20	1.15	69	86
EHB-12X24X12-(HDR/BX)-E11	12.00	24.00	11.50	E 11	1000	1700	1.20	1.15	77	95
EHB-18X18X12-(HDR/BX)-E11	18.00	18.00	11.50	E 11	1125	1910	1.20	1.15	90	108
EHB-24X24X12-(HDR/BX)-E11	23.30	23.30	11.50	E 11	1900	3230	1.20	1.15	155	178
EHB-24X24X12-(HDR/BX)-E11	24.00	24.00	11.50	E 11	2000	3400	1.20	1.15	166	189
EHB-30X24X12-(HDR/BX)-E11	30.00	24.00	11.50	E 11	2500	4250	1.20	1.15	210	237
EHB-12X12X6-(HDR/BX)-E10	11.30	11.30	5.90	E 10	300	510	1.15	1.10	18	23
EHB-12X12X6-(HDR/BX)-E10	12.00	12.00	5.90	E 10	320	545	1.15	1.10	20	26
EHB-12X24X6-(HDR/BX)-E10	11.30	23.30	5.90	E 10	660	1120	1.15	1.10	35	43
EHB-12X24X6-(HDR/BX)-E10	12.00	24.00	5.90	E 10	720	1225	1.15	1.10	39	48
EHB-18X18X6-(HDR/BX)-E10	18.00	18.00	5.90	E 10	870	1480	1.15	1.10	46	55
EHB-24X24X6-(HDR/BX)-E10	23.30	23.30	5.90	E 10	1450	2465	1.15	1.10	78	89
EHB-24X24X6-(HDR/BX)-E10	24.00	24.00	5.90	E 10	1550	2635	1.15	1.10	83	95
EHB-30X24X6-(HDR/BX)-E10	30.00	24.00	5.90	E 10	1935	3290	1.15	1.10	105	118
EHB-12X12X12-(HDR/BX)-E10	11.30	11.30	11.50	E 10	450	765	1.15	1.10	33	44
EHB-12X12X12-(HDR/BX)-E10	12.00	12.00	11.50	E 10	500	850	1.15	1.10	38	49
EHB-12X24X12-(HDR/BX)-E10	11.30	23.30	11.50	E 10	950	1615	1.15	1.10	69	86
EHB-12X24X12-(HDR/BX)-E10	12.00	24.00	11.50	E 10	1000	1700	1.15	1.10	77	95
EHB-18X18X12-(HDR/BX)-E10	18.00	18.00	11.50	E 10	1125	1910	1.15	1.10	90	108
EHB-24X24X12-(HDR/BX)-E10	23.30	23.30	11.50	E 10	1900	3230	1.15	1.10	155	178
EHB-24X24X12-(HDR/BX)-E10	24.00	24.00	11.50	E 10	2000	3400	1.15	1.10	166	189
EHB-30X24X12-(HDR/BX)-E10	30.00	24.00	11.50	E 10	2500	4250	1.15	1.10	210	237

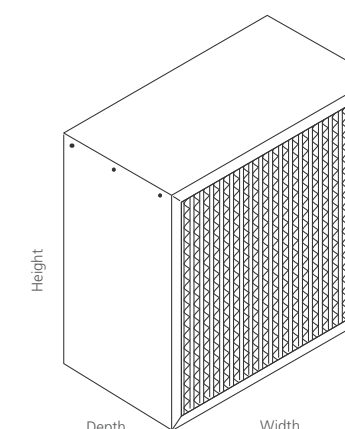
Model Ref.Numbering Scheme & Size Selection | HEPA BIO

EHB-18x18x12-(HDR/BX)-E11

- E : Excelair
- HB : HEPA BIO
- 18x18x12 : Width x Height x Depth
- HDR / BX : Header / Box Type Construction
- E11 : Grade



Single Header (20 mm)
General Isometric view



Box Type
General Isometric view



DISTRIBUTED BY . . .



Phone: 503.968.3261 • www.AirFiltersNW.com